

Solar Pedestrian Light



AVS-PL-9510

Beyond Solar Pedestrian Light

20W / 26000 LUMENS

Engineered to perform like conventional Pedestrian Lights, Beyond Solar Pedestrian Lights feature high-performing LEDs fueled by Solar energy and a Lithium LIFEPO4 Battery featuring a compact sturdy design, Beyond Solar Pedestrian Lights are constructed to resist harsh environments and a lifetime of over 8 years without maintenance. Our solutions excel in offering savings in all areas.

SAVINGS

INSTALLATION, ENERGY, UTILITY, AND MAINTENANCE.

GENERAL

WATTAGE	20 WATTS WITH DIRECTION LENSE LITHIUM
BATTERY	LITHIUM LIFEPO4 25 AH 12.8 VOLTS
PV PANEL	45 WATTS MONOCRYSTALLINE PANEL
CHARGING TIME	6 HOURS PER DAY
MATERIAL	6 HOURS PER DAY
CCT	3000 K - 6500 K
AUTONOMY	23 HOURS AT FULL CHARGE
HEIGHT	350 CM
FINISH	BLACK / GREY
OPTION	SMART MONITORING

APPLICATIONS

Marking Pathways - Public Spaces - Public Parks - Accentuating Lanscaping
 Pedestrian Areas - Museums - Gardens - Hotels & Hospitality - Vehicular Traffic



Solar Pedestrian Light

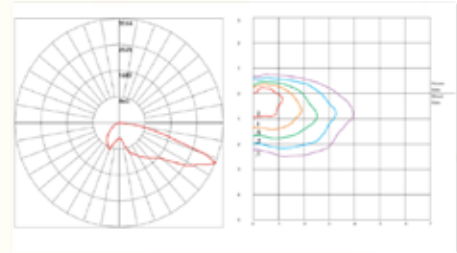
LUMINAIRE HOUSING

High pressure die-cast low-copper aluminum. Protection class of IP66. Beyond Solar uses a high quality Polyester Powder Coating from AKZO NOBEL. This powder coating product provides an excellent salt and humidity resistance as well as ultraviolet resistance for color retention.



LIGHTING A TOTAL OF 2600 LUMENS

16 high flux Phillips LEDs of 130 Lumens per Watts. LEDs are mounted to PC boards and directly attached to upper housing for best thermal management.



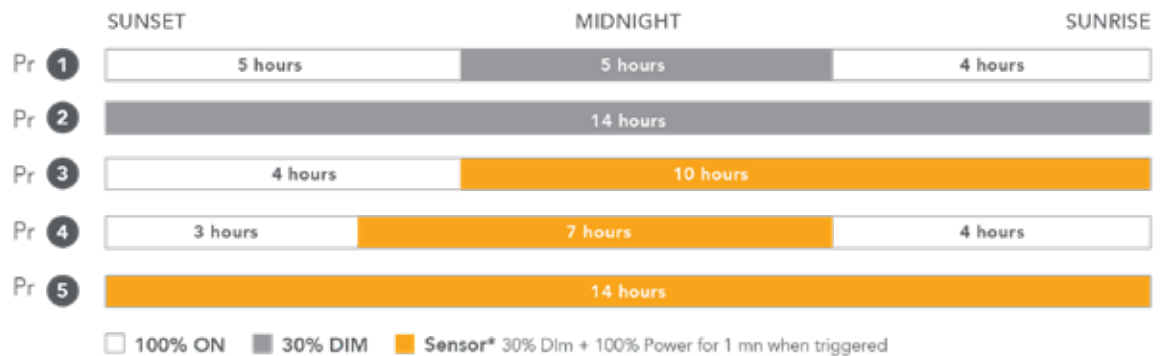
SOLAR PANNELS 45 watts 18V

Encapsulated Monocrystalline Solar Panel Grade Solar Cell with Tempered Glass.



OPERATION MODE

THE PHOTSENSOR WILL AUTOMATICALLY TURN THE LIGHT ON & OFF FROM DUSK TO DAWN. There are options to choose from 5 different pre-programmed lighting profiles pictured in the table.



Solar Pedestrian Light



BATTERIES LIFE PO4 BATTERY

-25AH/12,8 AH LITHIUM IRON PHOSPHATE BATTERY

The Eco-friendly and safe LiFePO4 Li-ion battery improves the cyclic charge and discharge **over 2000 times** and has a life span of **more than 10 years**.

✓ **SAFE** No Explosion Risk

LITHIUM LIFEPO4

VS

LITHIUM LI ION

Over 2000 cycles	⌚ Over 500 cycles
No Risk of Explosion	✓ Very High Risk Explosion in High Temperature
-10 to 75 Degree	🌡️ 0 to 45 Degree
Over 10 Years	📅 24 to 32 Months
.....	💰 50% Cheaper than LiFePO4



MULTI PROTECTION



SMART CONTROLLER MPPT

MPPT (Maximum Power Point Tracking) controller automatically track the maximum power point according to the weather variation.
Charging rate : 16-30%

FEATURES

- Maximum power point tracking charging
- Auto identify day/night
- 4 levels dimming design
- Smart mode operation
- **Waterproof IP68**



BATTERY MANAGEMENT SYSTEM **BMS**

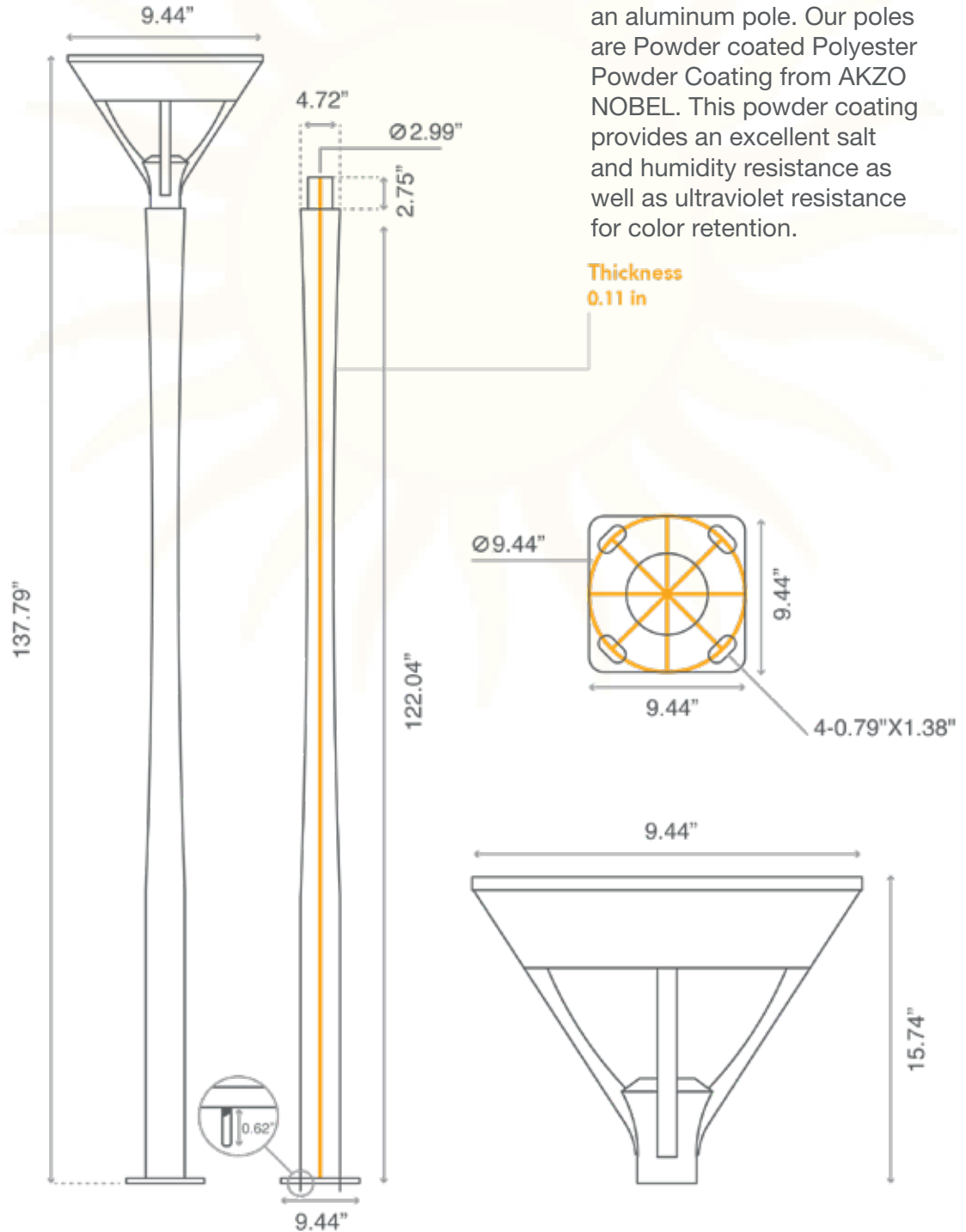
The electronic Algorithm protect the battery from operating outside its safe operating area monitoring its state, calculating secondary data, reporting that data, controlling its environment, authenticating it and / or balancing it.

- ☠️ OVER LOAD
- ⚡ OVER CURRENT
- 🌡️ OVER TEMPERATURE
- 📉 OVER VOLTAGE
- 🔌 OVER CHARGE
- 🔌 OVER DISCHARGE



Solar Pedestrian Light

DIMENSIONS & POLES



Beyond Solar Pedestrian Lights can be purchased with an aluminum pole. Our poles are Powder coated Polyester Powder Coating from AKZO NOBEL. This powder coating provides an excellent salt and humidity resistance as well as ultraviolet resistance for color retention.

Thickness
0.11 in

