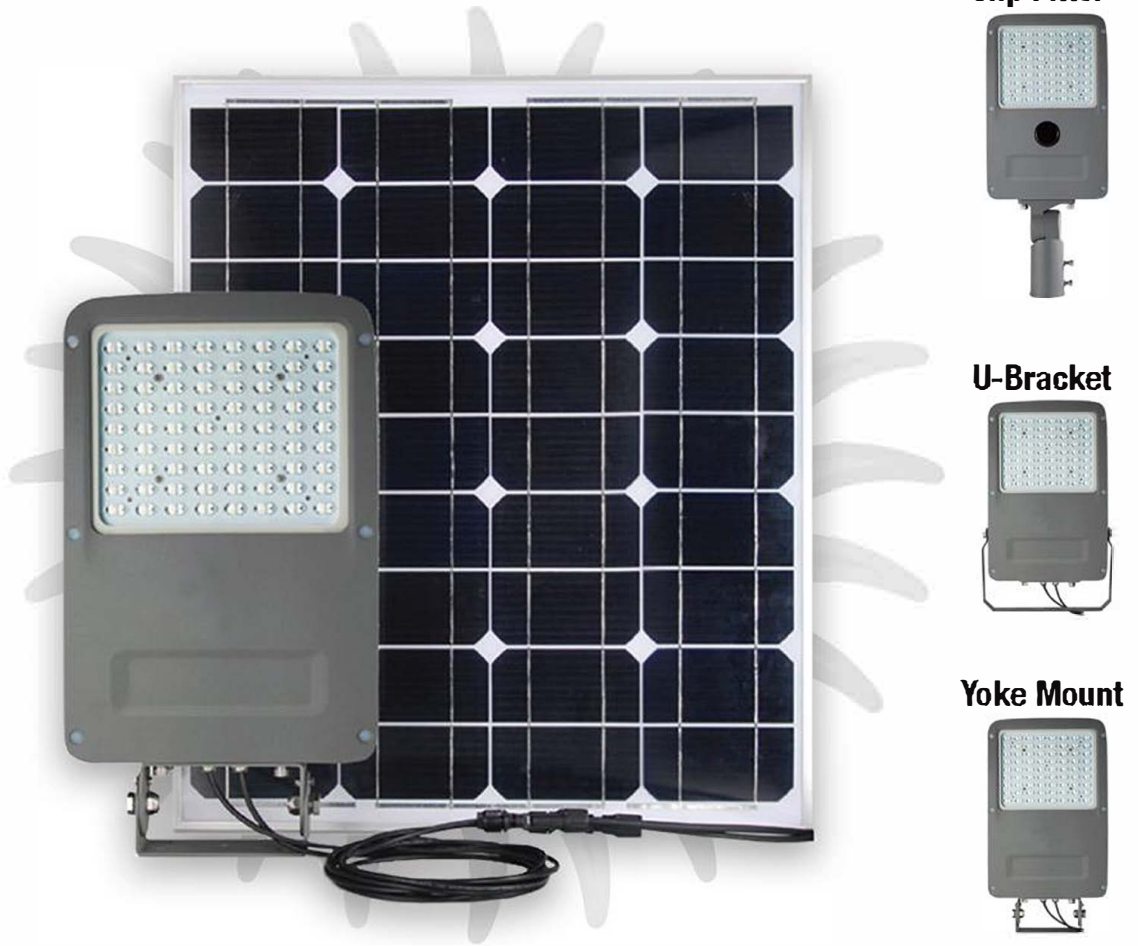


Solar Billboard / Flood Light

AVS-SFL-50W



This Solar Flood Light uses 100% less power than traditional flood lights. The battery, solar controller, and sensor are built-in, and only need to be connected to an 18V panel. No other operations are needed, which allows for an easy and quick installation. Also, these lights have a smart controller that enables the power brightness, and lighting time to be adjusted via remote control.

Features

- Beam Angle: 140° x 70° (Type 3)
- CCT Range: 2700K - 6000K
- LED Brand & Qty: Philips 72Pcs
- CRI: >82

Default Power Settings

- 3 Hrs at 100%
- 5 Hrs at 50%
- 4 Hrs at 30%

Advantages

- Compact system.
- Programmable power brightness and lighting time.
- Microwave sensor.
- External solar panel to meet the solar radiation in different latitudes.

Applications

- Billboards Signs
- Perimeter Lighting



Solar Billboard / Flood Light

AVS-SFL-50W

LIGHTING SPECIFICATIONS	
MODEL NUMBER	AVS-FL-50W
NORMAL POWER	50W
LUMENS	5800lm
AVAILABLE COLOR TEMPERATURES	3000K, 4000K, 5000K, 6000K
CRI	>83
INPUT VOLTAGE	18VDC
BEAM ANGLE	140° x 70° (Type 3)
LED BRAND	Philips SMD3030
LED NO.	90Pcs



3,000 4,000 5,000 6,000

SOLAR CONTROLLER	
SYSTEM VOLTAGE	12V
OUTPUT POWER	80W/12V Max
CHARGING CURRENT	15A Max
OUTPUT CURRENT	5.0A Max
SENSOR TYPE	Microwave as Optional
PROTECTIONS	Over-Charge / Over-Discharge / Over-Voltage
CHARGING MODE	MMPT
PROGRAMMABLE REMOTE	Yes



SOLAR PANEL	
SOLAR CELL	Mono
DIMENSION	39.37" x 26.38" x 1.18"
MAX POWER	100W
MAX VOLTAGE	18VDC
MAX WORKING CURRENT	5.55A
MAX SYSTEM VOLTAGE	1000V
CONNECTION	Male & Female MC4 Plugs



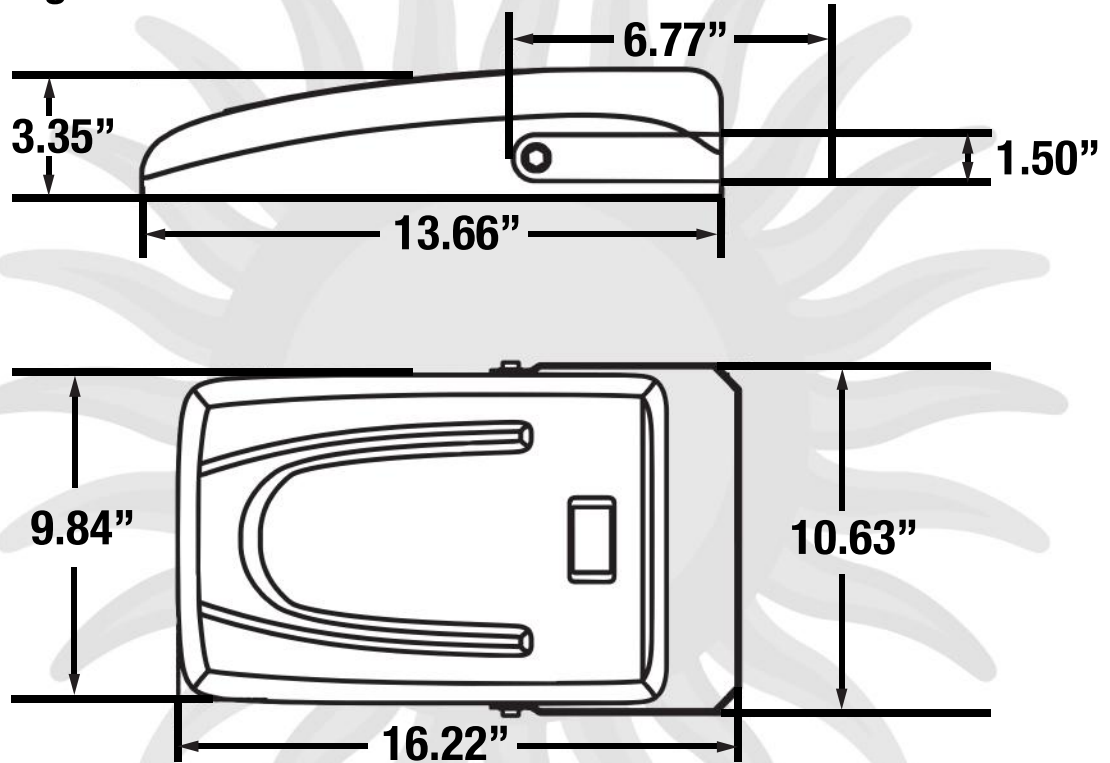
BATTERY	
BATTERY TYPE	Lithium Battery
ENERGY	488WH
NORMAL VOLTAGE	11.1V
RATED CAPACITY	44AH
CHARGE VOLTAGE	12.6V
STANDARD DISCHARGE CURRENT	5.70A
DISCHARGE CUT-OFF VOLTAGE	9.0V
CELLS QUANTITY	51Pcs
LIFETIME	1000 Cycles (>80% Capacity)



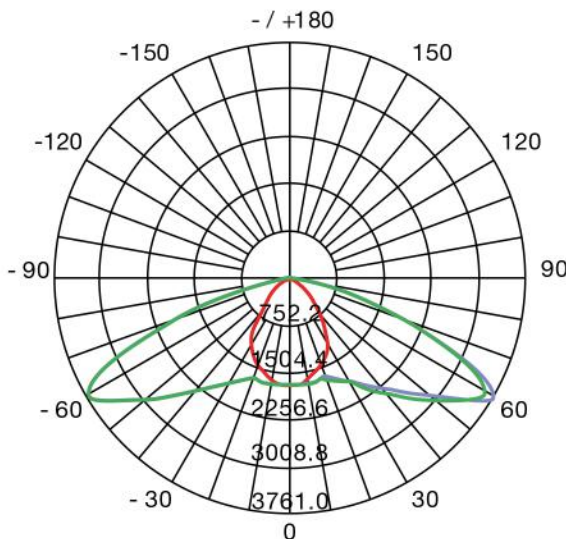
Solar Billboard / Flood Light

AVS-SFL-50W

Drawing



Light Distribution Curve
[Unit: cd]



Max Plane Light Distribution Curve [Unit: cd]

